

BREATHING REDEFINED: SUPERIOR COMFORT, CERTIFIED SAFETY.

2024-2025



www.safetyware.com
info@safetyware.com

SAFETYWARE GROUP:

BREATHING REDEFINED: SUPERIOR COMFORT, CERTIFIED SAFETY.

At Safetyware Group, we are more than just a supplier. We are your dedicated partner, committed to ensuring your respiratory safety. With a motto that embodies our core values of "Breathing Redefined: Superior Comfort, Certified Safety", we provide reliable, innovative, and cost-effective respiratory protection solutions. Our Respiratory Protection Catalog offers a wide range of cutting-edge products and tailored solutions to safeguard your lungs from airborne contaminants.



COMPREHENSIVE PROTECTION

We believe that every breath matters. That's why we feature a diverse range of respiratory protection options, including disposable masks, reusable respirators, SCBA, and more. Whether you work in healthcare, manufacturing, construction, or any other industry, we have the right solution to keep you safe.



INNOVATIVE TECHNOLOGIES

Innovation is at the heart of what we do. That's why we showcase the latest advancements in respiratory protection technologies. From advanced filtration systems to ergonomic designs and user-friendly features, our products are engineered to provide optimal comfort, functionality, and protection. We stay ahead of the curve to ensure you have access to the most advanced solutions available.



QUALITY ASSURANCE

Your safety is our top priority. We adhere to stringent quality standards and certifications to deliver products of exceptional quality and reliability. Our respiratory protection solutions undergo rigorous testing, ensuring they meet or exceed industry standards. With Safetyware Group, you can have confidence in the performance and effectiveness of our products.



EXPERT GUIDANCE

Navigating the world of respiratory protection can be complex. That's why we feature comprehensive product information and technical specifications. Our team of experts are also available to provide personalized guidance and support, helping you select the right respiratory protection solution for your specific requirements.



COST-EFFECTIVE SOLUTIONS

We understand the importance of cost-effectiveness without compromising safety. Our catalog offers a range of options to suit various budgets, ensuring that you can find the right respiratory protection solution without breaking the bank. We believe that everyone deserves access to high-quality protection, and we strive to provide affordable solutions to meet your needs.



DID YOU KNOW?

3-Ply masks are widely used for respiratory protection and have several notable features that make them a popular choice. Let's dive in and explore these fascinating facts that you might not know before!

One key feature of 3-ply masks is their high breathability. The three-layer construction of these masks allows for optimal airflow, ensuring comfortable and unrestricted breathing. This feature is particularly important during extended wear or physical activities, as it minimizes discomfort and promotes better respiratory comfort.

Did you know that some 3-ply masks undergo UV sanitization? This process helps eliminate potentially harmful microorganisms that may be present on the mask's surface. UV sanitization is an additional layer of protection, ensuring that the mask is clean and safe to use. This feature enhances the hygiene aspect of 3-ply masks, contributing to better overall respiratory health.

Another remarkable feature of 3-ply masks is their gentle nature on the skin. These masks are designed with hypoallergenic materials that minimize the risk of skin irritation or allergic reactions. The soft and skin-friendly materials used in their construction ensure a comfortable fit without compromising the mask's effectiveness. This gentle touch makes 3-ply masks suitable for individuals with sensitive skin or respiratory conditions.

Building on the previous point, 3-ply masks are specifically engineered to be hypoallergenic. This means that they are less likely to cause allergic reactions or sensitization in individuals with sensitive skin or respiratory conditions. The careful selection of materials and rigorous testing ensure that these masks provide a safe and comfortable option for a broader range of users.



MEDICAL FACE MASK

3-Ply



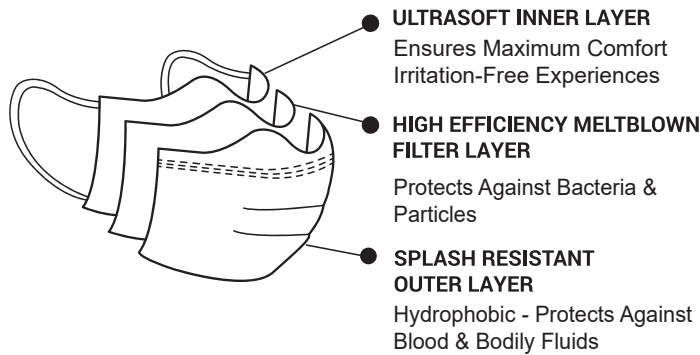
**ASTM
F2100
LEVEL 2**

**EN14683
TYPE IIR**

**MDA HSA
REGISTERED REGISTERED**

LAYERS OF PROTECTION

1302



**≥
99%
BFE & PFE**

≥99%
BFE & PFE

GENTLE ON SKIN

HYPOALLERGENIC

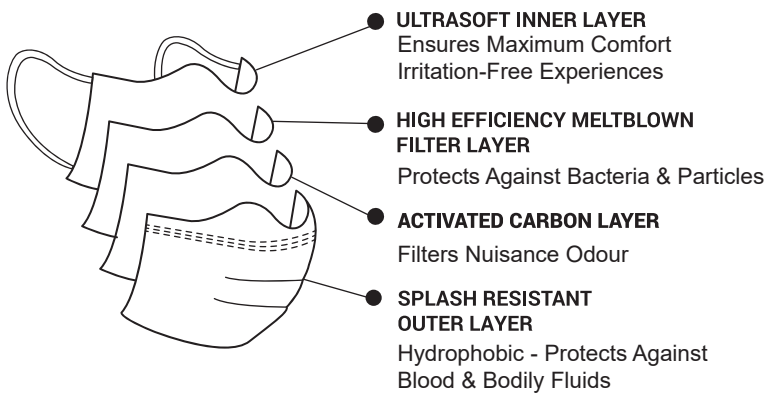
HIGH BREATHABILITY

4-Ply

ACTIVATED CARBON MEDICAL FACE MASK

LAYERS OF PROTECTION

1412



FFP2

PARTICULATE RESPIRATOR



4802



4802V

With Exhalation Valve



4802AV

With Exhalation Valve & Activated Carbon



Effective Filtration Against Both Oil Based and Non-oil Based Particulates.



Adjustable Concealed Nose Clip for Better Safety



Effective Filtration of Harmful Particles, Bacteria & Virus



Individual Packaging

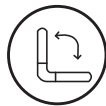
≥94%
filtration efficiency against particle size of 0.3 micron



SIRIM
BS EN 149:2001+A1:2009
PC011024



Innovative Adjustable Headstrap for Optimum Fit



Foldable Design for Easier Storage



HIGH BREATHABILITY



UV SANITIZED



GENTLE ON SKIN



HYPOALLERGENIC

PARTICULATE RESPIRATOR

FFP2 NR D



8200



8200V

With Exhalation Valve



8200AV

With Exhalation Valve & Activated Carbon



SIRIM
BS EN 149:2001+A1:2009
PC011096

CE
2797



Effective Filtration Against Both Oil Based and Non-oil Based Particulates.



Facial Fit



No Metal Used



Reduces Glasses / Goggles Fogging



Allowed to Hang

≥94%
filtration efficiency against particle size of 0.3 micron

TWO TYPES OF BREATHING PROTECTION

1 FILTER PROTECTION

Where the surrounding air passes through filters that remove contaminants. This type is used where sufficient oxygen level is present and known contaminants can be captured in the filter. The contaminants must have clear warning properties in the form of odours or taste in concentrations below the permissible exposure limit. Filters must not be used where the contaminant concentrations are Immediately Dangerous to Life and Health.

Examples of filter protection are half and full face masks with replaceable filters as well as powered-assisted filter protection for half and full masks or hoods, visors and helmets. For contaminants in gas form, appropriate gas filters are used with active carbon that absorbs the gas. As the filter becomes saturated the gradual breakthrough starts, therefore it is important to set up a filter replacement policy.

Particles such as dust, smoke and mist are captured in particle filters. As the degree of clogging rises, breathing resistance increases and the filter must be replaced if it is damaged or breathing becomes difficult. Combination filters are used in the presence of both particles and gas.



2 BREATHING APPARATUS

Supplies the user with air from an independent source, via cylinders with compressed air or breathable air from a compressor. Continuous flow airline equipment with hoses is used in half and full face masks, hoods, helmets and visors.

Compressed air-fed breathing protection may be used in all environments suitable for filters and in which a higher level of protection is required. Some substances can not be adsorbed in filters, and in such cases compressed air-fed breathing protection is the only alternative.

The inhaled air must comply with EN 12021 and as an example not exceed the odour threshold for oil (0.5 mg/m³).



SELECTING BREATHING PROTECTION

ON THE BASIS OF LEVEL OF WORK DURATION AND WORKLOAD

For short term jobs with low workload, a negative pressure mask can be used, i.e. half and full-face masks with replaceable filters. To avoid harmful leakage into the mask, the fit to the face is important, as inhaling produces a negative pressure in the mask. High inhalation resistance due to large filter combinations contributes to further negative pressure as well as an increased breathing effort.

Long term work with high workloads often requires powered-assisted filter protection. A fan powered by a battery draws air through the filter and then directs it into facepieces, which may be a loose-fitting visor, helmet or hood, or a tight fitting half or full-face mask. The airflow of the equipment is important to maintain a positive pressure in the facepiece, even during deep inhalation.

High workloads and contaminants with poor warning properties are examples of situations in which compressed airline equipment is appropriate. The compressed air is supplied from a compressor via an air line filter unit and hose to a belt-mounted regulating valve, to the half or full face mask.

TWO DIFFERENT FIT TESTS CAN BE USED TO ASSURE A GOOD FIT FOR HALF AND FULL FACE MASKS.

Qualitative (subjective) test

The user dons the protective mask as described in the user manual and is exposed to a substance with a smell, such as isoamyl acetate, or with a taste, such as Saccharin or Bitrex. If the user cannot smell or taste anything, then the respirator has a good fit.

Quantitative (objective) fit test

The numbers of particles in the ambient air and inside the mask are measured to obtain a ratio describing how well the breathing protection fits. During this test, several exercises are carried out that simulate various situations that may occur during a normal work shift.

The qualitative test depends on the user's sense of smell and/or taste and is considered to be less suitable than a quantitative test for measuring how well the mask fits.

Safetyware offers qualified training by our specialists in fitting, function checks, donning, storage and maintenance – in order to ensure a high level of protection for many years.

Remarks:

1. Hazardous airborne contaminants in the workplace must be identified and quantified.
2. Do not use respirators when airborne contaminant concentrations exceed maximum use concentrations.
3. Reusable respirators cannot be used in environment with unknown contaminants or at/exceed Immediately Dangerous to Life and Health (IDLH) levels.
4. Before use, wearer must read and understand the User Instructions provided as part of the product packaging.

9200 HALF FACE RESPIRATOR

APPLICATIONS:



EMERGENCY RESPONSE



ENVIRONMENTAL CLEANUP



WELDING



WOOD WORKING



CONSTRUCTION



CHEMICAL HANDLING



MINING



PHARMACEUTICAL MANUFACTURING



SIRIM
BS EN 140:1998
PC013196



Australian Standard
AS/NZS 1716:2012
SIR00344



SOFT SILICONE MATERIAL



ADJUSTABLE STRAPS



HIGH FLOW OUTLET VALVE



CERTIFIED TO INTERNATIONAL STANDARD

Texture Silicone Seal

The textured silicone face seal provides comfort, stability, durability, and maintains good contact even in the presence of moisture.



Screw-Type Exhalation Valve Cover

The screw-type Exhalation Valve Cover directs exhaled breath away from the face, improving comfort and reducing moisture buildup in masks or respirators.



Large Inner Space

A spacious inner area prevents uncomfortable contact between the mouth, nose, and the facepiece.



Quarter-Turn Strap

The quarter-turn strap change mechanism is a user-friendly feature that allows for effortless maintenance of masks or respirators. With a simple twist, the straps can be easily removed and replaced.



FULL FACE RESPIRATOR

9800



Polycarbonate Lens

Anti-fog and anti-scratch material. It has a wide field of view to help you see clearer while working.



MAX FLOW Exhalation Valve

The valve efficiently reduces the temperature, humidity, and CO2 gases inside the respirator.



360 Degree Sealing

Provides complete protection by forming an airtight seal around the entire face, ensuring no gaps or leaks.



4-Point Harness

providing a secure and comfortable fit, distribute tension evenly across the head, ensuring the respirator stays in place during use.



SIRIM
BS EN 136:1998
PC013192



APPLICATIONS:



EMERGENCY RESPONSE



ENVIRONMENTAL CLEANUP



WELDING



WOOD WORKING



CONSTRUCTION



CHEMICAL HANDLING



MINING



PHARMACEUTICAL MANUFACTURING

CARTRIDGES & FILTERS

FOR 9800 & 9200 RESPIRATOR



901 A1
Organic Vapor Cartridge



903 A1E1
Organic Vapor & Acid Gas Cartridge



906 ABEK1
Multigas Cartridge

Filter Selection

FILTER TYPE	APPLICATION	ITEM CODE		
		901	903	906
A	Organic gases/vapours with boiling point above 65°C	✓	✓	✓
B	Inorganic gases/vapours			✓
E	Acidic gases/vapours		✓	✓
K	Ammonia and certain amines			✓



BAYONET FITTING



LIGHTWEIGHT



LOW BREATHING RESISTANCE



EFFICIENT FILTRATION

PARTICULATE FILTER

911 P2 R



Effective Filtration Against Both Oil Based and Non-oil Based Particulates.

≥94%
filtration efficiency
against particle
size of 0.3
micron



913 P3 R PARTICULATE FILTER




Effective Filtration Against Both Oil Based and Non-oil Based Particulates.


≥99.95%
filtration efficiency
against particle
size of 0.3
micron





916 P3 R PARTICULATE FILTER WITH ACTIVATED CARBON

 Effective Filtration Against Both Oil Based and Non-oil Based Particulates.

 Protect against nuisance level organic vapours & acid gases.

≥99.95%
filtration efficiency
against particle
size of **0.3**
micron

CE
0082



BAYONET
FITTING



LIGHTWEIGHT

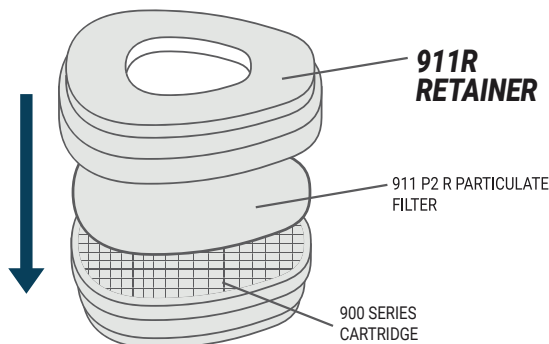


LOW BREATHING
RESISTANCE



EFFICIENT
FILTRATION

HOW TO USE 911R FILTER RETAINER



911R
RETAINER

911 P2 R PARTICULATE
FILTER

900 SERIES
CARTRIDGE

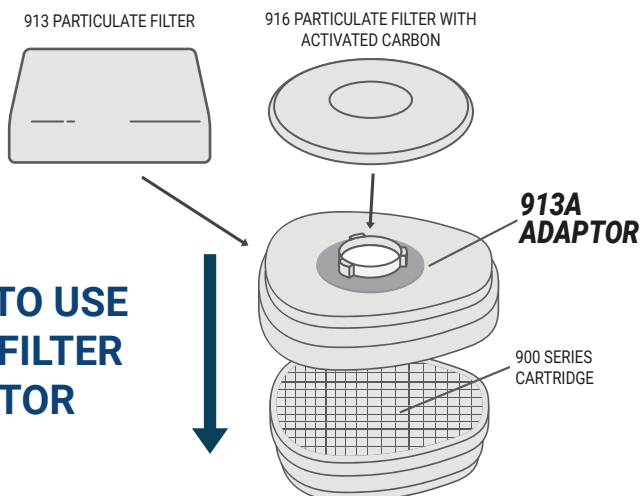
ACCESSORIES

FOR 9800 & 9200 RESPIRATOR



911R
Filter Retainer

HOW TO USE 913A FILTER ADAPTOR



913A
ADAPTOR

900 SERIES
CARTRIDGE



913A
Filter Adaptor



AIR PURIFYING RESPIRATOR (APR)

How To Choose Your APR

Step 1:
Choose Your Respirator
Type With The Required
Size



SR 900 Half Face Respirator
H01-3012 (Small)
H01-3112 (Medium)



SR 900 Half Face Respirator
H01-3012 (Small)
H01-3112 (Medium)



SR 200 Half Face Respirator
H01-1212

Step 2: Optional
Add On the Remote
Filter Connection

N/A



T01-3002
SR 905 Remote Filter
Holder with Belt

T01-3003
SR 951 Single Hose

N/A

Step 3:
Choose the Cartridge /
Filter



H02-1312
SR 510 P3 R Filter



H02-2512
SR 217 A1 Cartridges



H02-3212
SR 315 ABE1 Cartridges



H02-4212
SR 316 K1 Cartridges



H02-5312
SR 297 ABEK1 Cartridges



H02-2412
SR 298 AX Cartridges

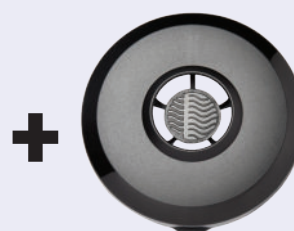


H02-6512
SR 299-2 Combination Filter
ABEK1 HG P3 R

Step 4:
Add-On Pre-Filter



H02-0312
SR 221 Pre-Filter



R01-0605
Pre-Filter Holder

POWERED AIR PURIFYING RESPIRATOR (PAPR)



How To Choose Your PAPR

Step 1:
Choose Your Head Top With
The Required Size
(if applicable)



SR 900 Half Face Respirator
H01-3012 (Small)
H01-3112 (Medium)



SR 200 Half Face Respirator
H01-1212



SR 530 Loose Fitting Hood
H06-0412

Step 2:
Choose Add-On Hose
(if applicable)



SR 951 Single Hose
T01-3003



SR 550 Breathing Hose
T01-1216

Step 3:
Choose a Fan Unit

**You Can Choose Either Fan Unit To Suit
Your Needs**

Step 4:
Choose the Cartridge / Filter



SR 510 Filter P3 R
H02-1312



SR 518 A2 Filter
H02-7012



SR 570 Face Shield
H06-6512



SR 580 Protective Helmet with Visor
H06-8012



SR 592 Welding Shield with Air Channel
H06-4412



SR 584/SR 580 Helmet with Impact Resistant & Welding Face Shield
H06-8310

BREATHING HOSE IS ALREADY INCLUDED IN THESE HEAD TOPS



SR 500 Fan Unit
H06-0112



SR 500 EX Fan Unit
(Explosion Proof)
H06-2012



SR 597 A1BE2K1 Filter
H02-7212



SR 599 A1BE2K1-Hg-
P3 R Filter
H02-7312

SUPPLIED AIR RESPIRATOR (SAR)

How To Choose Your SAR

Step 1:
Choose Your Head Top With
The Required Size
(if applicable)



SR 900 Half Face Respirator
H01-3012 (Small)
H01-3112 (Medium)



SR 200 Airline Full Face Respirator
H03-1012



SR 530 Loose Fitting Hood
H06-0412

Step 2:
Add-On Attachment
(if applicable)



SR 507 Compressed Air Attachment
H03-0612



SR 951 Single Hose
T01-3003

BREATHING HOSE IS
ALREADY INCLUDED IN
THESE HEAD TOPS

Step 3:
Choose a Hose



SR 358 Oil & Chemical
Resistant Compressed
Air Hose (10m)
H03-3010

SR 359 Antistatic & Heat
Resistant Compressed
Air Hose (10m)
H03-3110



Step 4:
Add Compressed Air (CA)
Filter



SR 99-1 Compressed Air
(CA) Filter
H03-2810



SR 570 Face Shield
H06-6512



SR 580 Protective Helmet with Visor
H06-8012



SR 592 Welding Shield with Air Channel
H06-4412



SR 584/SR 580 Helmet with Impact Resistant & Welding Face Shield
H06-8310



SR 507 Compressed Air Attachment
H03-0612

Optional: Multi-Users Configurations

2 Users Configuration:

- Step 1: Select 2 Head Tops
- Step 2: Select 2 Add-On Attachment
- Step 3: Select 2 Hoses

► Add 1 Safety Coupling (R03-2103)



Safety Coupling
R03-2103

3 Users Configuration:

- Step 1: Select 3 Head Tops
- Step 2: Select 3 Add-On Attachment
- Step 3: Select 3 Hoses

► Add 1 Safety Coupling (R03-2103)
► Add 1 Y-Coupling (R03-2127)



Safety Coupling
R03-2103



Y-Coupling
R03-2127

20030

AIR QUALITY MONITORING SYSTEM

Accurate, real time compressed air quality monitoring giving 100% assurance of safe air



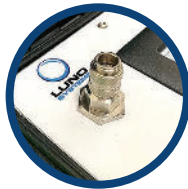
Airtrack™ Portable is Explorer Case Mounted



Network & device connectivity via cable or Wi-Fi



App for calibration and additional data logging functionality



Air input with a variety of connection adaptors



High quality TFT touchscreen for easy visibility of readings and data logs



Alarm output – these can be used to turn equipment on or off or to activate additional external alarm systems

Airtrack™ is a unique product designed to test the air quality of compressed air in line with breathing air requirements. Monitoring for a variety of contaminants in compressed air including Water content/Pressure Dewpoint, Oxygen, Carbon Dioxide, Carbon Monoxide, Oil, Nitrous Oxide and Hydrogen Sulphide.

The standard unit will monitor CO, CO2, Dewpoint, O2 and use an oil impactor, compliance with EN12021 or Grade D, but with extra sensors. It offers the capability to monitor air for other contaminants which could be drawn in from the environment which could have air which is poor quality.

CONFIGURATION OF SENSORS



AIRTRACK™ PORTABLE

Battery and mains powered for testing a variety of air sources with heavy duty portable case.

CHANNEL 1 SENSOR	Oxygen (O2)
CHANNEL 2 SENSOR	Nitrous Oxides (NO) or Hydrogen Sulphide (H2S)
CHANNEL 3 SENSOR	Carbon Monoxide (CO)
CHANNEL 4 SENSOR	Carbon Dioxide (CO2) or Flammable (CH4)
CHANNEL 5 SENSOR	Photo Ionisation Detector (PID)
OIL IMPACTOR	Oil Impactor (OI)
DEWPOINT	Dewpoint (DEW)
PUMP	Pump (P)

20194



ATS1™ TROLLEY SYSTEM



Control Panel Gauges & Whistle



Cylinder switching ability for continuous operation



Up to 4 x 9L or 2 x 20L Cylinder Capacity



Lifting Eye for easy handling

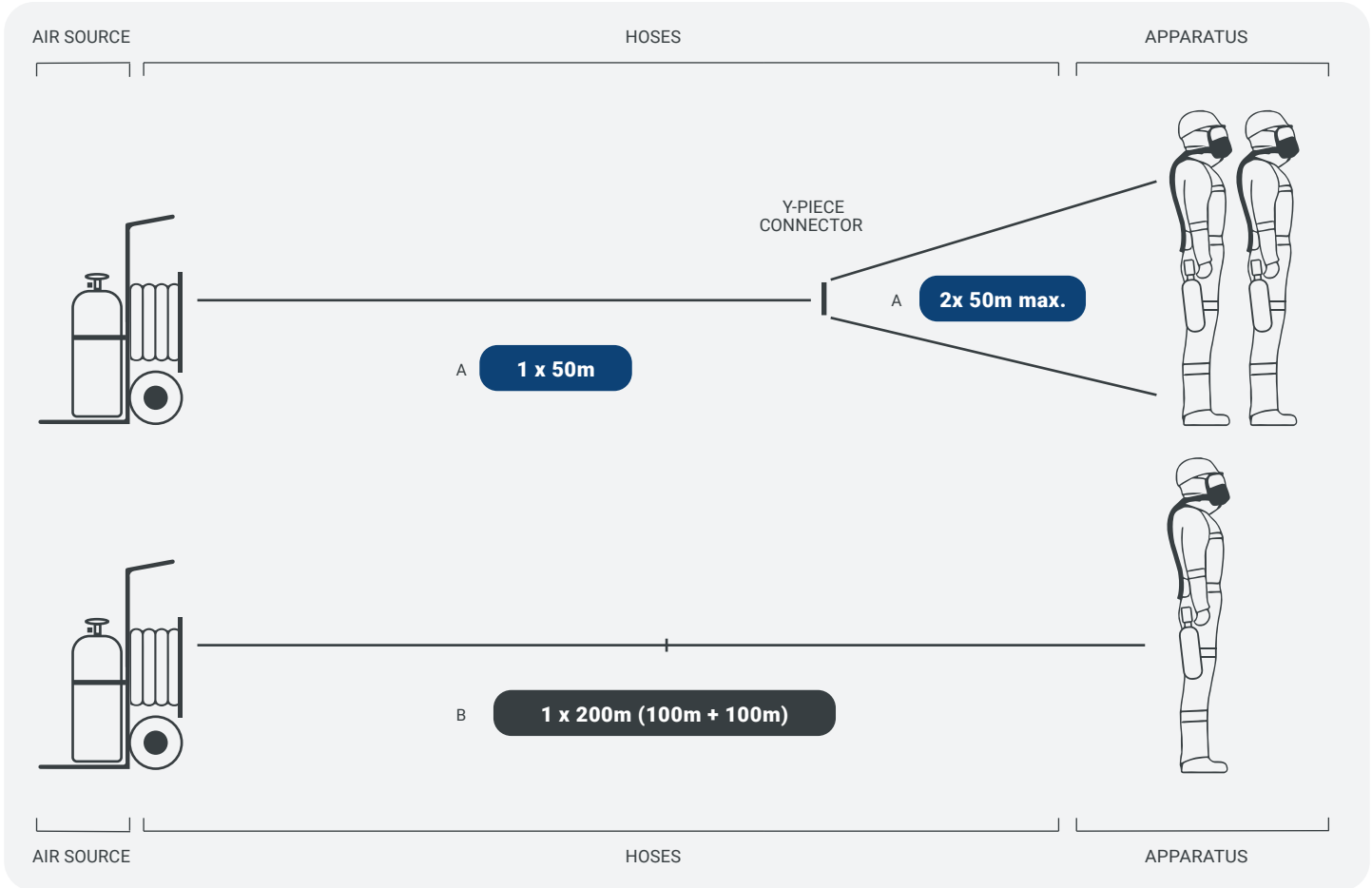


Hose length 50M + 2 x 15M hose



Heavy duty wheels for all terrain use

Typical Configuration Options



20193

BAT MICRO BREATHING AIR TRAILER



Barrier tape, to easily cordon off work area and duration calculator for rapid assessment



Narrow and lightweight allowing maximum manoeuvrability



Roller guide for fast and easy airline deployment and 2 integrated hose reels and large equipment stowage compartment



Automatic switchover to emergency air supply in the event of main air supply failure



Two Valve operation to activate main and emergency at task start for easy set up

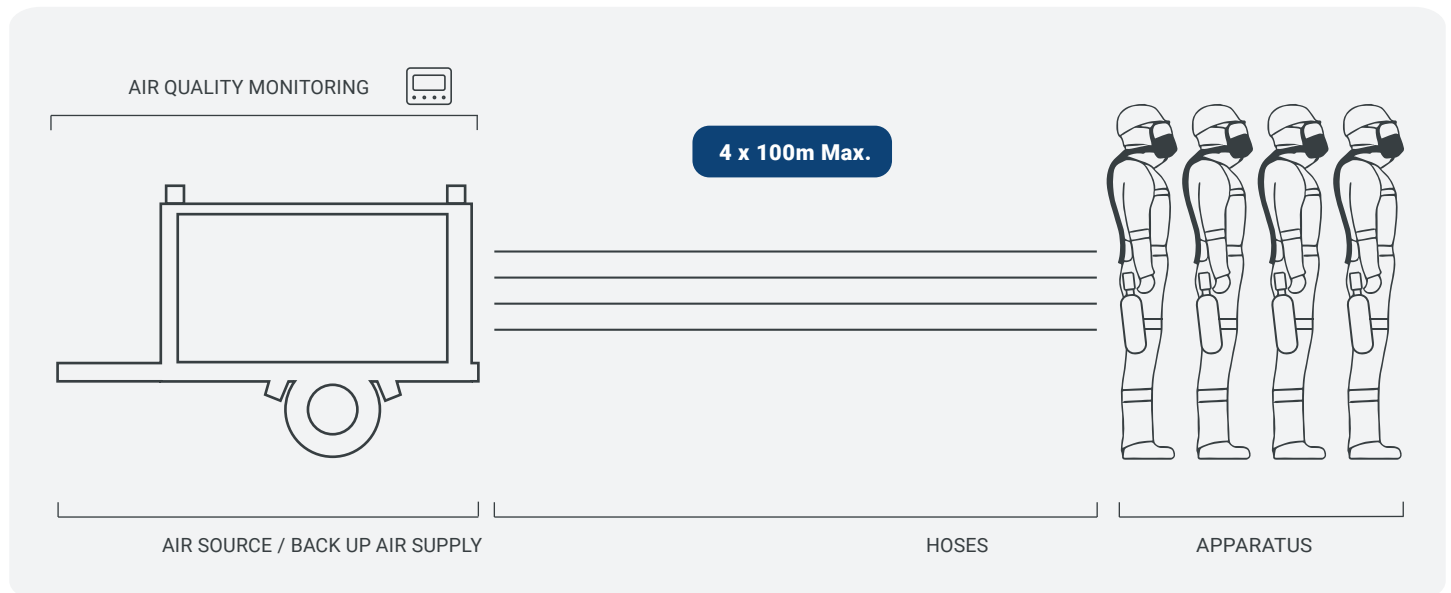


Control panel with large clear gauges for easy air management

Designed to make small works requiring breathing air simple the Micro Trailer delivers up to 9.7 hours of air, with a 1 hour emergency air supply. Trailer construction is designed for harsh industrial environments, comprising galvanised steel frame, powder coated stainless steel panels, stainless steel fittings and pipework. 2 hose reels accommodate 50m airlines fed to the user by a roller guide and a further 2 airlines can be connected to the main control panel.

Being lightweight and well balanced 1 user can easily manoeuvre the trailer, and its narrow width means it is ideal for accessing congested areas of a plant. Units are finished with calculation chart and barrier tape that users of our Pureair range will be familiar with.

Typical Configuration Options



20040 & 20041

AIRSTAR™ LITE & PRO



Reliable, easy to maintain demand valve



Cylinder can switch between leg and back mounted



Quick mount removable pneumatics - no technical skill required



Back/leg mount



Heavy duty extended pigtail giving robust,



Full body harness (Pro only - EN361 approval)



Switch over valve and warning whistle, activates emergency air automatically and warns user



Wipe clean and washable fabrics



Ergonomic harness for maximum user comfort

Typical Configuration Options

APPARATUS



LITE



PRO

CYLINDER



2L COMPOSITE OR STEEL CYLINDER WITH POUCH

HELMET



VISION MASK 3 SIZES

20529

FRESH AIR BREATHING APPARATUS



Fall Protection Harness:

- EN361 approved harness with strain relief attached to hose
- Perfect for excavation work



Basic Waistbelt



Approved with Luno FlowmasterMask for:

- Excellent field of view
- Superior user comfort
- 5 point adjustable harness



Optional Quick Connect Hose Connections

The Flowmaster fresh air breathing apparatus system is designed to provide a constant flow of fresh air to users working in environment where the air may be unsafe, but can be drawn from a nearby source to supply users with safe air. The Flowmaster range offers several options to ensure that users can use the best suited equipment to their specific requirements giving the option of battery powered assisted options through to unassisted.

The range leading Flowmaster 2 integrates a re-chargeable battery and alarms to ensure that users can work freely from trailing leads, but are warned of low battery condition, blocked pre-filters or other issues with the unit. A range of harness options ensures that users can select the most comfortable and appropriate option for their work environment with the inclusion of an EN361 approved option for excavation related tasks, as well a full body comfort harness for long duration task where users need to work comfortably.

Typical Configuration Options

AIR SOURCE	SUPPLY HOSES	HARNESSES	PNEUMATICS	MASKS
	<p>1 OR 2 SUPPLY HOSE x 10m</p> <hr/> <p>1 OR 2 SUPPLY HOSE x 30m</p> <hr/> <p>1 OR 2 SUPPLY HOSE x 60m</p>	<p>SUPERLITE BELT</p>		
	<p>1 SUPPLY HOSE x 10m* PER UNIT</p> <p>*The Ground Spike and Filter Unit is only available with a 10m supply hose.</p>	<p>LITE HARNESS</p>		
		<p>PRO HARNESS</p>		

SCBA

SELF CONTAINED BREATHING APPARATUS



SCBA

SELF CONTAINED BREATHING APPARATUS



SCBA-SD68
STANDARD EDITION



SCBA-PR68
PREMIUM EDITION



- GENERAL INDUSTRIES
- MARINE
- CHEMICAL
- OIL & GAS



BACK PLATE

- Ergonomic Design- 2/3 weight on the waist and 1/3 on the shoulders.
- Flexible composite material.
- Pull Forward Waist Belt- Easy fastening.
- Shoulder Harness with Reflective Straps.
- Flexible Waist Belt Padding.
- Buddy Breather System / Airline Connection.
- LDV with CEJN Coupling – For Buddy System



FULL FACE MASK

- Wide Vision Mask comes with Kevlar Netting Head Harness.

CYLINDER

- 6.8L/300 Carbon Composite Material.
- Comes with Rubber Boot and Body Protection Rubber Ring
- Valve with Excess Flow Valve, Burst Disc and Pressure Gauge.



TECHNICAL DATA

AIR CYLINDER	6.8L	CYLINDER PRESSURE	30 MPa
WORKING DURATION	50 MINUTES	WORKING TEMPERATURE	-30°C TO 60°C
WEIGHT	<ul style="list-style-type: none"> ■ 11.5 KG (SCBA-PR68) ■ 14.0 KG (SCBA-SD68) 	STANDARD	<ul style="list-style-type: none"> ■ EN 137:2006 ■ EN 136:1998+AC:2003 Type 2 ■ SOLAS MED

	Communication Mask	Stretched Back Plate	Electronic Pressure Gauge	Regulator	Air Supply Valve	Quick Filling Connection	K Connection
SD68				✓	✓		✓
PR68	✓	✓	✓	✓	✓	✓	✓

EEBD

EMERGENCY ESCAPE BREATHING DEVICE

Emergency Escape Breathing Devices (EEBDs) serve as crucial safety tools, offering a temporary breathable air supply in environments where air quality is dangerously compromised. These devices are designed for rapid deployment, providing individuals with the means to safely evacuate from hazardous situations such as fires, chemical spills, or gas leaks. Compact and lightweight, EEBDs are engineered for ease of use during critical moments, ensuring a swift and efficient response to emergent threats to respiratory safety.

WHY EEBD ARE ESSENTIAL

LIFE-SAVING POTENTIAL	ESCAPE ASSISTANCE	SAFETY REGULATIONS	IMMEDIATE PROTECTION
In emergencies, the use of EEBDs can be the difference between life and death, highlighting their critical role in safety and emergency preparedness.	EEBDs are tailored to facilitate a safe escape from hazardous areas by providing breathable air.	Their availability is often mandated by safety regulations across various industries, ensuring workers have access to necessary protective equipment.	They deliver immediate respiratory protection against toxic gases, smoke, or particulates.

TECHNICAL DATA

EEBD-SS30

AIR CYLINDER	3.0L
WORKING DURATION	≥ 15 MINUTES
WORKING PRESSURE	210 BAR
FLOW RATE	40 L AIR/MIN
WEIGHT	7 KG
WORKING TEMPERATURE	-30 °C TO 60 °C
STANDARD	EN 1146:2005, ISO 23269-1:2008, SOLAS, IMO RES. MSC.98(73)

TECHNICAL DATA

EEBD-TH-15-2

AIR CYLINDER	3.0L
WORKING DURATION	≥ 15 MINUTES
WORKING PRESSURE	300 BAR
FLOW RATE	35 L AIR/MIN
WEIGHT	≤ 5 KG
WORKING TEMPERATURE	-30 °C TO 60 °C
STANDARD	MED APPROVAL, ISO 23269-1:2008 (E), EN 402 (2003)



MARINE



CHEMICAL



OIL & GAS

SR 77-3 ESCAPE HOOD SMOKE/CHEM



TECHNICAL DATA

H15-3512

RESISTANCE TIME	REFER TABLE 1.0
SHELF LIFE	10 YEARS
FILTRATION EFFICIENCY: Sodium Chloride NaCl	> 99.997 %
FILTRATION EFFICIENCY: Paraffin oil	> 99.997 %
WEIGHT	≈ 700 G
WORKING TEMPERATURE	-20 °C ± 55 °C
STANDARD	EN 403:2004, EN 14387:2004 + A1:2008

GAS TYPE	TIME (min)
Carbon Monoxide	> 30
Akrolein	> 100
Hydrogen Chloride	> 36
Hydrogen Cyanide	> 25
A1, Cyclohexane	> 110
B1, Chlorine	> 130
B1, Hydrogen Cyanide	> 40
B1, Hydrogen Sulphide	> 210
E1, Sulphur Dioxide	> 130
K1, Ammonia	> 130

Table 1.0



SAFETYWARE GROUP BERHAD 202001037668 (1393989-P)



MALAYSIA

SAFETYWARE SDN BHD

200301030551 (632971-X)

Penang Head Office

Plot 237, Lengkok Perindustrian Bukit Minyak 3,
Bukit Minyak Industrial Estate,
14100 Simpang Ampat, Penang,
Malaysia.

TEL : +604 - 5023 882 (8 lines)

FAX : +604 - 5081 882

Kuala Lumpur Office

No. 8, Jalan Delta U6/18,
Taman Perindustrian Sunway Subang,
Seksyen U6,
40150 Shah Alam, Selangor, Malaysia.

Tel: +603-6262 0882 (4 Lines)

Fax : +603-6270 0393

Melaka Office

No. 6A & 6A-1, Jalan IKS M 5,
Taman IKS Merdeka,
75350 Batu Berendam,
Melaka, Malaysia.

Tel: +606-336 3882 (2 Lines)

Fax : +606-337 5881

Johor Office

No.8 Jalan Ekoperniagaan 2/3,
Taman Ekoperniagaan,
81100 Johor Bharu, Johor,
Malaysia.

Tel: +607-511 4882

Fax : +607-562 8880

Pahang Office

A21, Lorong Balok Perdana 3/1,
Taman Balok Perdana,
26080 Kuantan, Pahang,
Malaysia.

Tel: +609-509 3882 (2 Lines)

Fax : +609-509 3880

Sabah Office

DBKK Unit, No.7, Lot 7, Lorong
Bizhub 1, Sierra Bizhub Warehouse,
Batu 13.5, Jalan Tuaran, 88450 Kota
Kinabalu, Sabah, Malaysia.

Tel: +608-841 2982

Fax : +608-848 9282

Sarawak Office

Gr flr and 1st flr, Sublot 6,
City Square Phase II,
Section 64, KTLD, Jalan Pending,
93450 Kuching, Sarawak, Malaysia.

Tel: +608-226 6182

Fax : +608-226 6182



AUSTRALIA

SAFETYWARE AUSTRALIA PTE LTD

(ABN:1940065096)

5/21 Yiannis Court,
Springvale, VIC 3171, Australia.

Tel: +61 3 9103 1428



SINGAPORE

SAFETYWARE (SG) PTE LTD

(201208598R)

10 Raeburn Park,
#02-08,
Singapore 088702.

Tel: +65 6744 0882/ +65 9819 3376



THAILAND

SAFETYWARE ALLIANCE CO., LTD.

34/9 Moo 13, Thepharath Rd.,
Bangpleeyai,
Bangplee, Samutprakarn 10540
Bangkok, Thailand.

Tel: +66 02-066-4699

Fax: +66 02-066-4699

www.safetyware.com
info@safetyware.com.my