

PRODUCT SPECIFICATION

SAFETYWARE Filter Retainer for 911 P2 Particulate Filter

- Designed to hold SAFETYWARE 911 P2 Particulate Filter (sold separately).
- Compatible with SAFETYWARE 911 P2 Particulate Filter and SAFETYWARE 900 Series of gas and vapour cartridges.
- These combinations can be used together with SAFETYWARE 9200 and 9800 lines of respirators.
- Quick and easy to fit.

APPLICATIONS

- Chemical Manufacturing
- Pharmaceutical Manufacturing
- Metal working
- Construction site
- Laboratories
- Petrochemical Industry

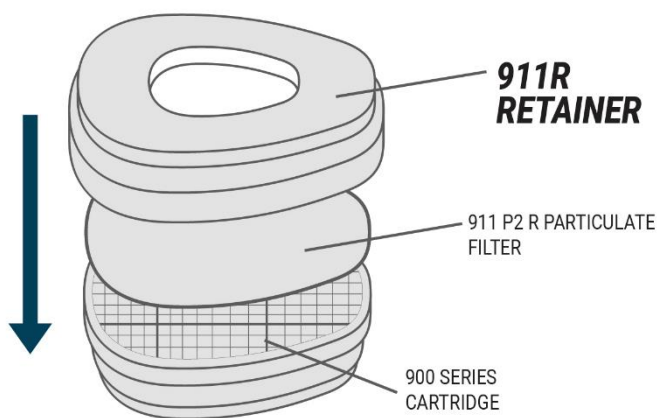
TECHNICAL DATA

MATERIAL	Polyurethane
COLOR	Clear
CARTON DIMENSION	54 (L) x 24 (W) x 23 (H) cm
PACKING	20 pcs/ box, 10 boxes/ carton

Item Code: 911R



USER INSTRUCTION



SAFETYWARE SDN. BHD. (632971-X)

Plot 237, Lengkok Perindustrian Bukit Minyak 3,
Bukit Minyak Industrial Estate,
14100 Simpang Ampat, Penang, Malaysia

Tel : +604-5023 882 | Fax : +604-5081 882
www.safetyware.com | info@safetyware.com

It is the product users' responsibility to conduct all the appropriate evaluations & testing to determine the suitability of SAFETYWARE products for use in a particular environment or purpose. SAFETYWARE disclaims all warranties other than as expressly provided.

Date created: 30/01/2024
Revision: 00