

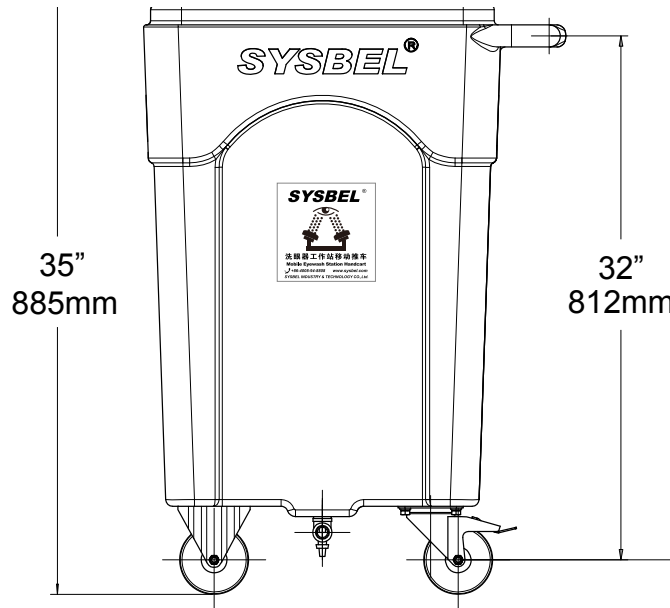
Mobile Waste Cart

WG005



It complies with the regulations in ANSI Z358.1-2014 standard and OSHA 29 CFR 1910.151(C) issued by ANSI has acquired CE Certification

- Highly visible yellow, rugged polyethylene construction is well suited to long term use in harsh environments
- Built in handle for easy transport is great for use on remote site
- Petcock on the bottom for easy drainage
- Comes equipped with two rigid casters in front and two swivel casters with "Total Lock" brakes in back
- Includes clearly marked eyewash signs
- Cart has 37.5-gallon (142 liter) capacity and measures 86H x61.5W x 52D (cm)



Mobile Waste Cart

| Product | Material | Capacity(Gal/L) | Ext.size(cm) H*W*D | Packing size(cm) H*W*D | G.W. (kgs.) | N.W. (kgs.) | Model |
|-------------------|----------------|-----------------|-----------------------|---------------------------|----------------|----------------|--------------|
| Mobile Waste Cart | Popolyethylene | 37.5/142 | 860×615×520 | 760×629×535 | 18 | 16 | WG005 |