

# PRODUCT SPECIFICATION

## SAFETYWARE Stainless Steel Decontamination Shower Station - Platform Operated

- Shower station assists in the rapid removal of contaminants from the body with a deluge of flushing fluid.
- It's Stainless Steel construction provides superior durability and reliability.
- Shower station is activated by entering the platform.
- Shower station is ideal for use in any area which expose to chemical and dangerous goods.

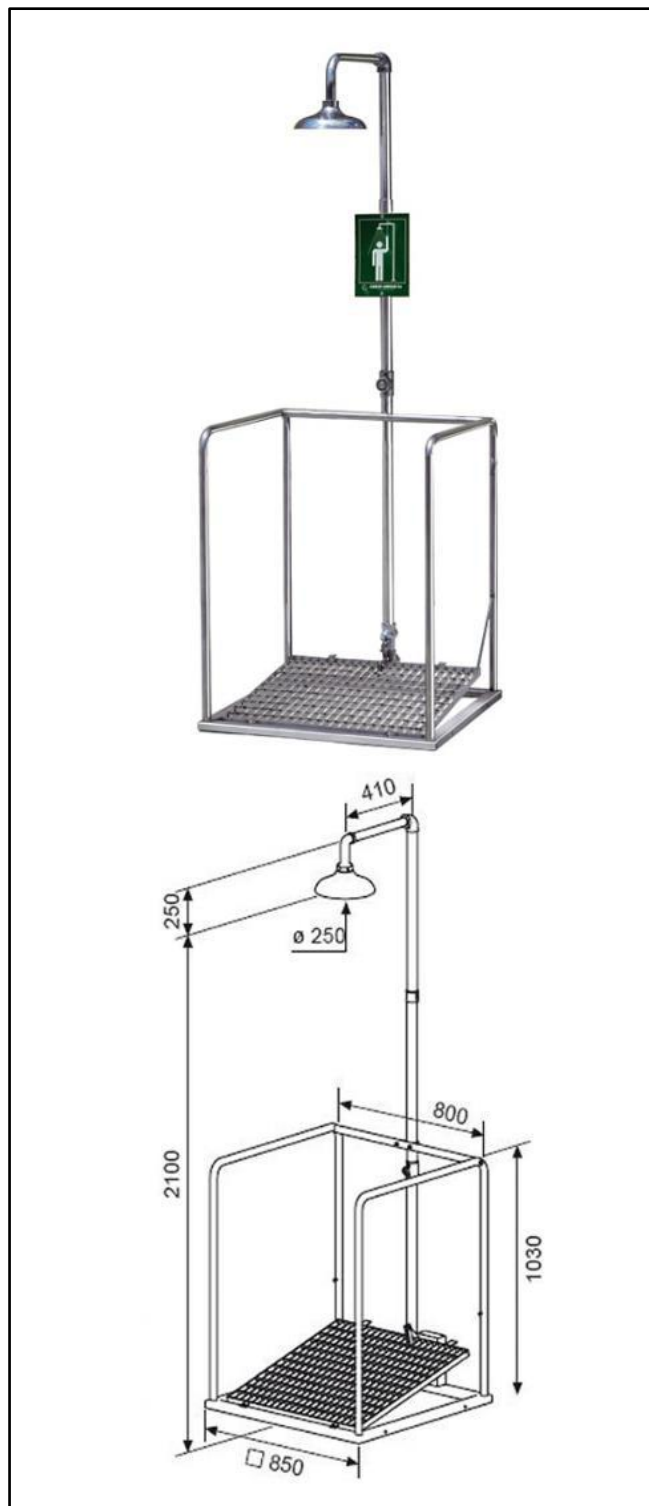
## APPLICATIONS

- Manufacturing Plants
- Lab
- Mining
- Factories
- Agriculture

## TECHNICAL DATA

<b>MATERIAL</b>	Head : Stainless Steel 304 Valve : 1-1/4" Stainless Steel 304 ball valve.
<b>COLOR</b>	Silver
<b>WATER SUPPLY &amp; OUTLET</b>	1-1/4" IPS
<b>WATER WORKING PRESSURE</b>	0.2-0.8 MPA
<b>FLOW CONTROL</b>	76 L / min
<b>STANDARD</b>	ANSI Z358.1
<b>WEIGHT</b>	33 kg
<b>PACKAGING</b>	1 each/ carton

Item Code: ESE8002FSS



**SAFETYWARE SDN. BHD.** (632971-X)

Plot 237, Lengkok Perindustrian Bukit Minyak 3,  
Bukit Minyak Industrial Estate,  
14100 Simpang Ampat, Penang, Malaysia

Tel : +604-5023 882 | Fax : +604-5081 882  
www.safetyware.com | info@safetyware.com

It is the product users' responsibility to conduct all the appropriate evaluations & testing to determine the suitability of SAFETYWARE products for use in a particular environment or purpose. SAFETYWARE disclaims all warranties other than as expressly provided.

Date created: 19/06/2019

Revision: 00