

PRODUCT SPECIFICATION

SAFETYWARE Stainless Steel Decontamination Eyewash Station - Platform Operated

- Eyewash station assists to flush hazardous contaminants and irritants from eyes and facial area.
- It's Stainless Steel construction provides superior durability and reliability.
- Features:
 - Includes a push handle and foot pedal to activate the eyewash.
 - Automatic anti-dust cover which operates when the eyewash is used.
- Eyewash station is ideal for use in any area which expose to chemical and dangerous goods.

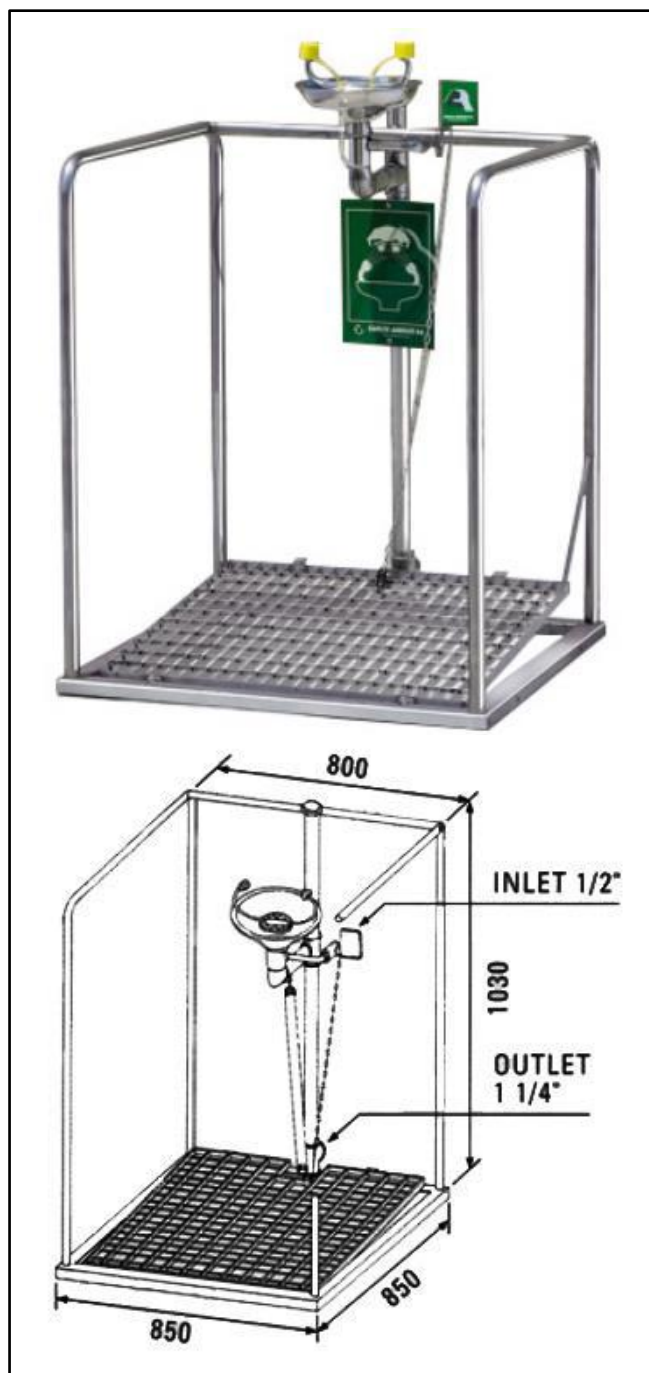
APPLICATIONS

- Manufacturing Plants
- Lab
- Mining
- Factories
- Agriculture

TECHNICAL DATA

MATERIAL	Bowl : Stainless Steel 304 Valve : 1/2" Stainless Steel 304
COLOR	Silver
WATER SUPPLY & OUTLET	1-1/4" IPS
WATER WORKING PRESSURE	0.2-0.8 MPA
FLOW CONTROL	12 L/ min
STANDARD	EN 1514-1 & 2, ANSI Z358.1
WEIGHT	28 kg
PACKAGING	1 each/ carton

Item Code: ESE8001FSS



SAFETYWARE SDN. BHD. (632971-X)

Plot 237, Lengkok Perindustrian Bukit Minyak 3,
Bukit Minyak Industrial Estate,
14100 Simpang Ampat, Penang, Malaysia

Tel : +604-5023 882 | Fax : +604-5081 882
www.safetyware.com | info@safetyware.com

It is the product users' responsibility to conduct all the appropriate evaluations & testing to determine the suitability of SAFETYWARE products for use in a particular environment or purpose. SAFETYWARE disclaims all warranties other than as expressly provided.

Date created: 19/06/2019

Revision: 00