

# PRODUCT SPECIFICATION

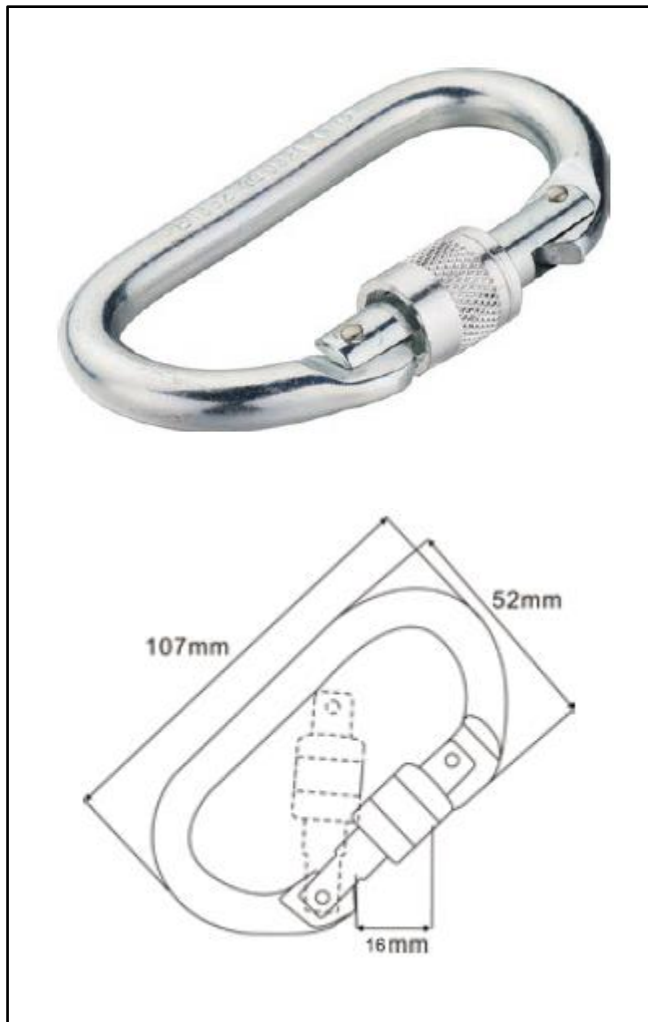
## SAFETYWARE Steel Carabiner with Screw Gate

- Carabiners are devices used for securing rope, wire, and gear on harnesses for climbing, rescuing, and industrial purposes. They are usually made of steel and aluminium with clip-like constructions called gates. Gates allow users to attach rope, gear, and other needed accessories to the carabiners.
- 100% proof loaded to 3600lbs/ 16KN
- Min. breaking strength; 5000lbs/ 22KN
- Open width: 16 mm

## TECHNICAL DATA

MATERIAL	Steel
COLOR	Silver
WEIGHT	75 g
PACKAGING	1 pc/ bag, 100 pcs/ carton

Item Code: FPC



**SAFETYWARE SDN. BHD.** (632971-X)

Plot 237, Lengkok Perindustrian Bukit Minyak 3,  
Bukit Minyak Industrial Estate,  
14100 Simpang Ampat, Penang, Malaysia

Tel : +604-5023 882 | Fax : +604-5081 882  
www.safetyware.com | info@safetyware.com

It is the product users' responsibility to conduct all the appropriate evaluations & testing to determine the suitability of SAFETYWARE products for use in a particular environment or purpose. SAFETYWARE disclaims all warranties other than as expressly provided.

Date created: 11/04/2019

Revision: 00