

2D SIGNS

2D Signs are double sided signs which make it easier for your employees and visitors to see and understand your safety messages

Ordering Guideline
2D 001 7P 0
 Category Material Size Language
 Please Refer Page 10 For More Detail



Item code	Type	Width x Height (mm)
2D 001 7P 0	2mm Red Acrylic	230 x 200
2D 001 723P 0	2mm Red Acrylic + Photoluminescent Sticker	230 x 200



Item code	Type	Width x Height (mm)
2D 002 7P 0	2mm Red Acrylic	230 x 200
2D 002 723P 0	2mm Red Acrylic + Photoluminescent Sticker	230 x 200



Item code	Type	Width x Height (mm)
2D 003 7P 0	2mm Red Acrylic	230 x 200
2D 003 723P 0	2mm Red Acrylic + Photoluminescent Sticker	230 x 200



Item code	Type	Width x Height (mm)
2D 004 7P 0	2mm Red Acrylic	230 x 200
2D 004 723P 0	2mm Red Acrylic + Photoluminescent Sticker	230 x 200



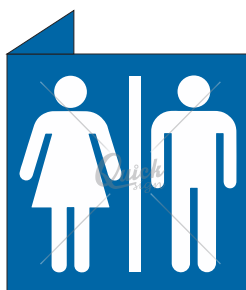
Item code	Type	Width x Height (mm)
2D 005 7P 2	2mm Red Acrylic	230 x 200
2D 005 723P 2	2mm Red Acrylic + Photoluminescent Sticker	230 x 200



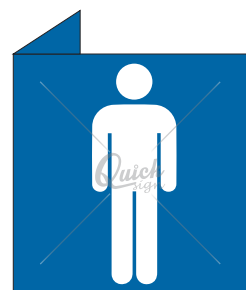
Item code	Type	Width x Height (mm)
2D 006 7P 2	2mm Red Acrylic	230 x 200
2D 006 723P 2	2mm Red Acrylic + Photoluminescent Sticker	230 x 200



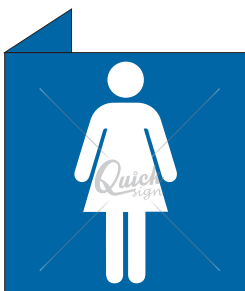
Item code	Type	Width x Height (mm)
2D 007 7P 2	2mm Red Acrylic	230 x 200
2D 007 723P 2	2mm Red Acrylic + Photoluminescent Sticker	230 x 200



Item code	Type	Width x Height (mm)
2D 008 9P 0	2mm Blue Acrylic	230 x 200
2D 008 923P 0	2mm Blue Acrylic + Photoluminescent Sticker	230 x 200



Item code	Type	Width x Height (mm)
2D 009 9P 0	2mm Blue Acrylic	230 x 200
2D 009 923P 0	2mm Blue Acrylic + Photoluminescent Sticker	230 x 200



Item code	Type	Width x Height (mm)
2D 010 9P 0	2mm Blue Acrylic	230 x 200
2D 010 923P 0	2mm Blue Acrylic + Photoluminescent Sticker	230 x 200



Item code	Type	Width x Height (mm)
2D 011 9P 0	2mm Blue Acrylic	230 x 200
2D 011 923P 0	2mm Blue Acrylic + Photoluminescent Sticker	230 x 200



Item code	Type	Width x Height (mm)
2D 012 6P 1	2mm White Acrylic	230 x 200
2D 012 623P 1	2mm White Acrylic + Photoluminescent Sticker	230 x 200

Choose Your Language:

0-No Wording 1-Dual Language (Malay + English) 2-English 3-Malay 4-Other Language



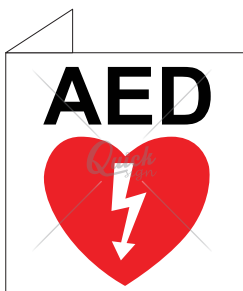
Item code	Type	Width x Height (mm)
2D 013 6P 1	2mm White Acrylic	230 x 200
2D 013 623P 1	2mm White Acrylic + Photoluminescent Sticker	230 x 200



Item code	Type	Width x Height (mm)
2D 014 6P 1	2mm White Acrylic	230 x 200
2D 014 623P 1	2mm White Acrylic + Photoluminescent Sticker	230 x 200



Item code	Type	Width x Height (mm)
2D 015 6P 0	2mm White Acrylic	230 x 200
2D 015 623P 1	2mm White Acrylic + Photoluminescent Sticker	230 x 200



Item code	Type	Width x Height (mm)
2D 016 6P 2	2mm White Acrylic	230 x 200
2D 016 623P 2	2mm White Acrylic + Photoluminescent Sticker	230 x 200



Item code	Type	Width x Height (mm)
2D 017 8P 2	2mm Green Acrylic	230 x 200
2D 017 823P 2	2mm Green Acrylic + Photoluminescent Sticker	230 x 200



Item code	Type	Width x Height (mm)
2D 018 8P 1	2mm Green Acrylic	230 x 200
2D 018 823P 2	2mm Green Acrylic + Photoluminescent Sticker	230 x 200



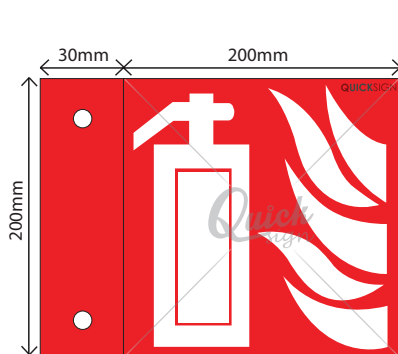
Item code	Type	Width x Height (mm)
2D 019 8P 0	2mm Green Acrylic	230 x 200
2D 019 823P 0	2mm Green Acrylic + Photoluminescent Sticker	230 x 200



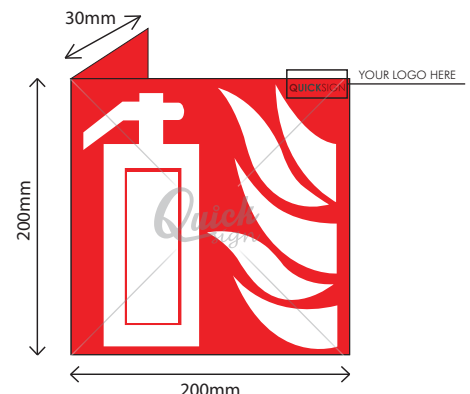
Item code	Type	Width x Height (mm)
2D 020 8P 2	2mm Green Acrylic	230 x 200
2D 020 823P 2	2mm Green Acrylic + Photoluminescent Sticker	230 x 200



Item code	Type	Width x Height (mm)
2D 021 8P 2	2mm Green Acrylic	230 x 200
2D 021 823P 2	2mm Green Acrylic + Photoluminescent Sticker	230 x 200



Open View



Choose Your Language:

- ①-No Wording
- ②-Dual Language (Malay + English)
- ③-English
- ④-Malay
- ⑤-Other Language



ABOUT US

Safetyware ventured into the signage and printing industry in 2010. Our target is to ensure message is clearly delivered during at workplace. We expanded our operation in 2015 and re-branded our name to QUICKSIGN for better development in signage and printing industry.

We believe signage is more than just a piece of plastic or sticker, rather we see it as a mean to bring your message out. That's why our mission is to make the whole visual communication process to be easier, better & more effective.

From simple plastic signage or labels, to more sophisticated dimensional signs, from simple banners & poster, to more visually appealing wallpaper aided by lightings, you can fully count on Quicksign.

Apart from quick & professional services, we are also a firm believer in providing solution which is greener & healthier. For example , we insist on using non-toxic solvent free latex ink when it comes to printing jobs, promote the use of biodegradable materials, promote the use of double side tapes as an alternative to drilling holes on wall, amongst many others.

WHY QUICKSIGN



WE ARE PROFESSIONAL



WE CUSTOM-MAKE DESIGN



WE ARE QUICK



WE MEAN QUALITY



WE ARE GREENER & HEALTHIER



WE OFFER BEST VALUE