

06/21/2011 08:40 FAX 574 267 6527

OSBORN MFG

002/003



960 N. Lake at OSBORN ST.
P.O. Box 1650
WARSAW, INDIANA 46581-1650

Phone: (574) 267-6156
Fax: (574) 267-6527
Web Site: www.osbornmfg.com

PRO-TEK-TO IMPACT TEST

June 21, 2011

There are three classes by which we can test our toe caps. We certify them for up to 30 pounds of pressure. However, we test them at 50 pounds.

Attached is a copy of our impact test guide. This test was conducted today with positive result.

Winnie Hinkel
Office Manager



960 N. Lake at OSBORN ST.
P.O. Box 1650
WARSAW, INDIANA 46581-1650

Phone: (574) 267-8158
Fax: (574) 267-6527
Web Site: www.osbornmfg.com

Our Impact test is as follows:

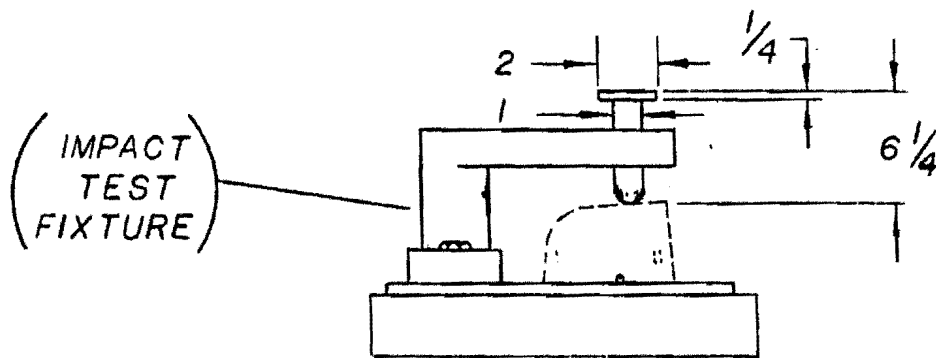
_____ Class 75: The 2" plate shall be hit by 50 pounds dropped from 18"

6/21/11
Satisfactory test completed
_____ Class 50: The 2" plate shall be hit by 50 pounds dropped from 12"

_____ Class 30: The 2" plate shall be hit by 50 pounds dropped from 7 1/4"

The clamps are defined to a given spec. as well.

POINT
OF
IMPACT



BASE: NOT LESS THAN
500 LBS.